

Datasheet
SX5STG
CLIPPED SINE WAVE SURFACE MOUNT TCXO
FEATURES
5.0 x 3.2 x 1.65 mm

- Miniature package
- High precision for -40° to +85°C, ± 0.28 ppm
- ± 0.14 ppm -20° to +70°C
- Applications: Femtocell, Base stations, Stratum 3, ...



Item	Specification				
Frequency Range	10.0 MHz to 40.0 MHz				
Standard Frequency	10.000 ; 12.800 ; 19.200 ; 20.000 ; 26.000				
Output Logic	Clipped Sine Wave				
Supply Voltage Vdd (see options)	+3.3 V ±5%		+5.0 V ±5%		
Supply Current Idd	3.5 mA max.				
Frequency Tolerance	±2.0 ppm max. at 25°C ±2°C (one hour after reflow)				
Frequency Stability vs Temperature (see options)		±0.14 ppm	±0.28 ppm	±0.37 ppm	±0.5 ppm
	0° to +50°C	o	o	o	o
	-10° to +60°C	o	o	o	o
	-20° to +70°C	o	o	o	o
	-40° to +85°C	x	o	o	o
		o = available	◇ = please contact us		x = not available
Frequency Stability vs Aging	±1.0 ppm max. per year at 25°C				
Frequency Stability vs Voltage Change	±0.2 ppm max., for a ±5% input voltage change				
Frequency Stability vs Load Change	±0.2 ppm max., for a ±10% load condition change				
Output Level	≥0.8 V p-p				
Output Load	10 kΩ // 10 pF				
Phase Noise	Offset / dBc / Hz	100 Hz	1 kHz	10 kHz	
	(typical)				
12.800 MHz	-125 dBc / Hz	-145 dBc / Hz	-150 dBc / Hz		
Start-up Time	2 ms max.				
Tri-state function (see options)	pin #1 = high or open			pin #3 ==> oscillation	
	pin #1 = low			pin #3 ==> high impedance	
Packing Unit	1000 pcs / reel				
Soldering Condition	260°C, 10 sec x2 max				

Customer specifications on request
OPTIONS & ORDERING INFORMATION
SX5STG

Supply Voltage	Operating Temp. *	Temperature Stability *	Tri-state Function	Package type	Frequency in MHz
33 = +3.3V	C = 0° / +50°C	0.14 = ±0.14 ppm	F = No Tri-state	4P = 4-pad version	Please specify the frequency in MHz
50 = +5.0V	D = -10° / +60°C	0.28 = ±0.28 ppm	E1 = Tri-state at pin #1		
	F = -20° / +70°C	0.37 = ±0.37 ppm			
	K = -40° / +85°C	0.50 = ±0.50 ppm			

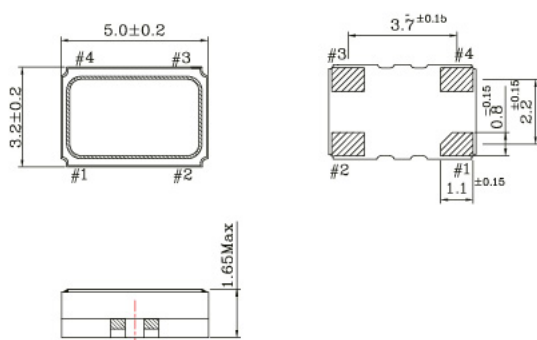
(*) Note : Not all combinations are possible, please consult us.

Rev. 09-2012

SX5STG

CLIPPED SINE WAVE SURFACE MOUNT TCXO

OUTLINE DIMENSIONS



Pin Connections

#1 : E/D or NC

#2 : GND

#3: Output

#4 : Vdd