

Datasheet

SX5CTW HCMOS SURFACE MOUNT TEMPERATURE COMPENSATED CRYSTAL CLOCK OSCILLATOR

FEATURES

- Miniature package
- Low cost
- High frequency
- Applications: Reference clock, Communication equipment, ...

5.0 x 3.2 x 2.3 mm


Item	Specification						
Frequency Range	200.0 MHz to 800.0 MHz						
Output Logic	CMOS						
Standard Frequency	200.000 ; 204.800 ; 311.040 ; 320.000 ; 400.000 ; 409.600 ; 622.080						
Supply Voltage Vdd	+3.3V ±5%						
Supply Current Idd	65.0 mA max., frequency dependent						
Frequency Tolerance	±2.0 ppm at 25°C ±2°C (one hour after reflow)						
Frequency Stability vs Temperature (see options)		±0.5 ppm	±1.0 ppm	±1.5 ppm	±2.0 ppm	±2.5 ppm	±3.0 ppm
	0° to +50°C	o	o	o	o	o	o
	-10° to +60°C	◇	o	o	o	o	o
	-20° to +70°C	x	o	o	o	o	o
	-30° to +75°C	x	o	o	o	o	o
	-30° to +85°C	x	o	o	o	o	o
	-40° to +85°C	x	o	o	o	o	o
		o = available	◇ = please contact us			x = not available	
Frequency Stability vs Aging	±1.0 ppm max. per year at 25°C						
Frequency Stability vs Voltage Change	±0.3 ppm max., for a ±5% input voltage change						
Frequency Stability vs Load Change	±0.3 ppm max., for a ±10% load condition change						
Output Level	VOH ≥ 0.9 Vdd			VOL ≤ 0.1 Vdd			
Output Load	15 pF						
Symmetry	45 / 55%						
Rise Time / Fall Time Fr / Ff	1.2 ns max.						
Start-up Time	5 ms typ., 10 ms max.						
Phase noise	Offset / dBc / Hz	10 Hz	100 Hz	1 kHz	10 kHz	100 kHz	
	(typical) 622.080 MHz	-50 dBc / Hz	-77 dBc / Hz	-102 dBc / Hz	-115 dBc / Hz	-108 dBc / Hz	
Packing Unit	1000 pcs / reel						
Soldering Conditions	260°C, 10 sec x2 max						
	Customer specifications on request						

OPTIONS & ORDERING INFORMATION

SX5CTW

.....	- MHz
Supply Voltage	Operating Temp. *	Temperature Stability *	Tri-state Function	Package Type	Frequency in MHz
33 = +3.3V	C = 0° / +50°C	0.5 = ±0.5 ppm	F = No Tri-state	4P = 4-pad version	Please specify the frequency in MHz
	D = -10° / +60°C	1.0 = ±1.0 ppm		6P = 6-pad version	
	F = -20° / +70°C	1.5 = ±1.5 ppm			
	G = -30° / +75°C	2.0 = ±2.0 ppm			
	H = -30° / +85°C	2.5 = ±2.5 ppm			
	K = -40° / +85°C	3.0 = ±3.0 ppm			

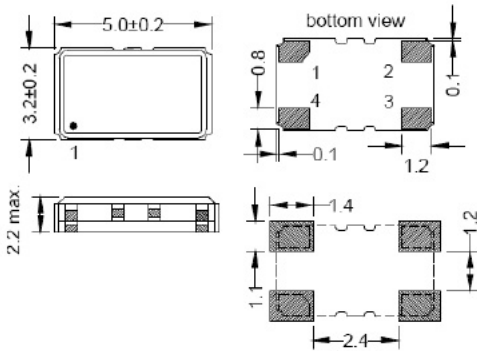
(*) Note : Not all combinations are possible, please consult us.

Rev. 09-2012

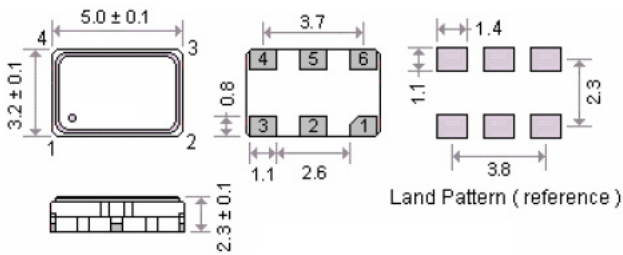
Datasheet

SX5CTW HCMOS SURFACE MOUNT TEMPERATURE COMPENSATED CRYSTAL CLOCK OSCILLATOR

OUTLINE DIMENSIONS



Pin Connections #1 : NC #2 : GND #3: Output #4 : Vdd



Pin Connections #1 : NC #2 : NC #3: GND #4 : Output #5 : NC #6: Vdd