

# PIEZOELECTRIC TEMPERATURE TRANSDUCER PTK-01

## APPLICATIONS

The piezoelectric temperature transducer **PTK-01** converts temperature to an output frequency and provides a precision temperature measurement. The remarkable performance of these transducers is achieved through the use of a precision quartz crystal resonator whose resonance frequency varies with temperature.

## FEATURES

- Meteorological and thermometrical reference
- Temperature calibration equipment
- High accuracy temperature standard (0.05%FS)
- Plastic case
- Stainless steel temperature probe



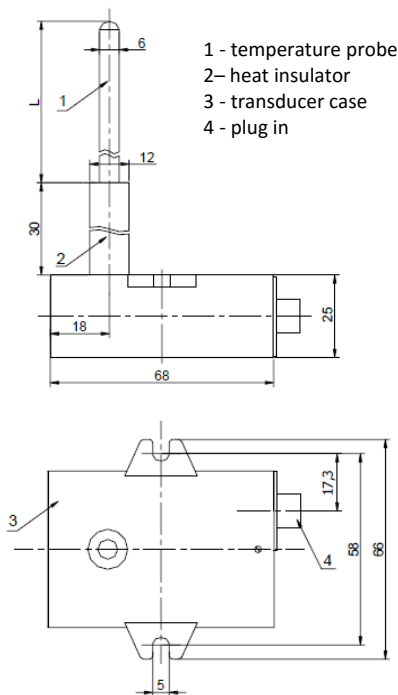
Long and short temperature probe



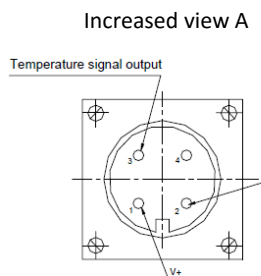
## ELECTRICAL CHARACTERISTICS / OPERATING CONDITIONS

PARAMETERS		SPECIFICATIONS AND REMARKS	UNITS
Operating temperature range		- 60 to + 60	°C
Accuracy		0.05; 0.1; 0.3	%FS
Resolution		0.01	%FS
Frequency output range		250 ... 600	Hz
Output amplitude (min.) to a load of 600 Ω		8	V
Current consumption		30	mA
Supply Voltage		11 to 15	V
Size	Case	66 x 68 x 25	mm
	Temperature probe (diameter x Length)	∅ 6 x 113	mm
Weight		< 350	gm
Warranty period of maintenance		1	year
Warranty period of storage from the date of manufacture		10	Year

During the warranty period of maintenance the repair of transducer is carried out by the manufacturer.



## Package dimensions



UNITS : millimeter

