

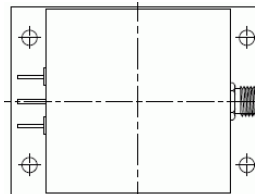
AXIOM95

VHF OCXO WITH SMA CONNECTOR

FEATURES

- SMA Connectorized Package, size 54 x 40 x 19 mm
- OCXO with frequency range: 80 to 130 MHz
- Sine Wave Output signal, +3 dBm (R 50Ω)
- Standard frequencies: 96 / 100 / 101 / 116 / 130 MHz

54 x 40 x 19 mm max.



Parameter	min.	typ.	max.	Unit	Condition
Frequency range	80		130		
Standard frequency	96 / 100 / 101 / 116 / 130			MHz	
Frequency stability		± 500		ppm	
Initial tolerance		± 500		ppb	@+25°C, @V _C = centre
vs. operating temperature range (steady state)			± 200 ± 100 ± 50 ± 25	ppb ppb ppb ppb	Option II = "200" Option II = "100" Option II = "50" Option II = "25"
operating temperature range	-20		+70	°C	
vs. supply voltage variation			± 10	ppb	
vs. load change			± 10	ppb	
Long term (aging) per day after 30 days operation			± 10 ± 2	ppb. ppb	Option II = "200", "100" Option II = "50", "25"
OCXO			± 200 ± 100	ppb ppb	Option II = "200", "100" Option II = "50", "25"
Frequency adjustment range					
Electronic Frequency Control (EFC) range	± 3 ± 1			ppm ppm	Option II = "200", "100" Option II = "50", "25"
EFC voltage V _C	0.15 0.25		3.15 4.75	V V	Option I = "33" Option I = "50" or "12"
EFC slope (Df / DV _C)		positive			
EFC input impedance	100			kΩ	
RF output					
Signal waveform		Sinus			
Load		50		Ω	
Output level	+3			dBm	
Harmonics attenuation	30			dBc	
Non-harmonics	50			dBc	
Warm-up time			5	min	Df _{final} /f ₀ < ± 0.1 ppm
Supply voltage V_S	3.15 4.75 11.4	3.3 5.0 12	3.45 5.25 12.6	V V V	Option I = "33" Option I = "50" Option I = "12"
Current consumption (steady state) @ +25°C			400 300 150	mA mA mA	Option I = "33" Option I = "50" Option I = "12"
Current consumption (warm-up)			1000 800 400	mA mA mA	Option I = "33" Option I = "50" Option I = "12"
Operable temperature range	-25		+75	°C	
Storage temperature range	-40		+85	°C	
Enclosure (see drawing) (LxWxH)	54 x 40 x 19 max.			mm	h = 2.0
Weight				50	gram
Packing	Palette				

Notes:

1. Terminology and test conditions are according to IEC standard IEC60679-1, unless otherwise stated

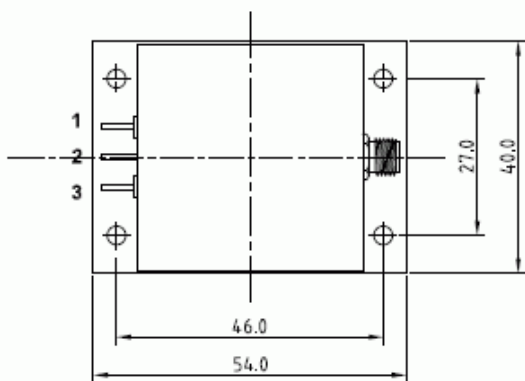
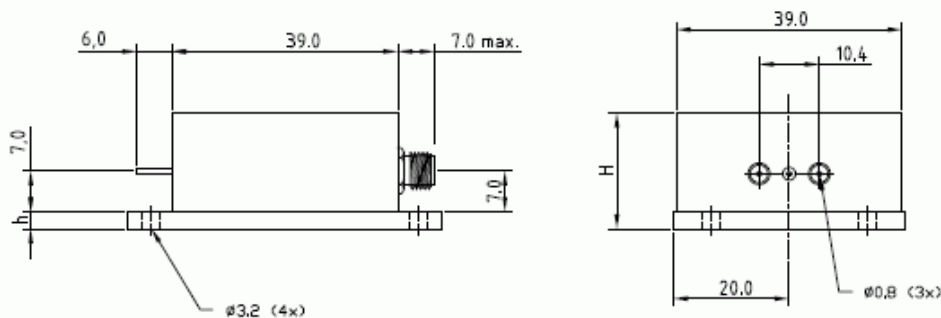
AXIOM95

VHF OXO WITH SMA CONNECTOR

Ordering Code:

Model (Specification)	Option I	Option II	Frequency [MHz]
AXIOM95	50	100	100.000

Enclosure drawing



Pin connections

Pin#	Symbol	Function
1	VC	Control Voltage (EFC)
2	GND	Ground
3	V _S	Supply Voltage
SMA	RF OUT	RF Output

Environmental conditions

Test	IEC 60068 Part ...	IEC 60679-1 clause ...	Test conditions
Sealing tests (if applicable)	2-17	4.6.2	Gross leak: Test Qc, Fine leak: Test Qk
Solderability	2-20	4.6.3	Test Ta (235 ± 5)°C Method 1
Resistance to soldering heat	2-58		Test Tb Method 1A, 5s
Shock*	2-27	4.6.8	Test Ea, 3 x per axes 100g, 6 ms half-sine pulse
Vibration, sinusoidal*	2-6	4.6.7	Test Fc, 30 min per axes, 10 Hz - 55 Hz 0,75mm; 55 Hz - 2 kHz, 10g
Endurance tests			
- ageing		4.7.1	30 days @ 85°C, OXO @ 25°C
- extended aging		4.7.2	1000h, 2000h, 8000h @ 85°C