

## Datasheet

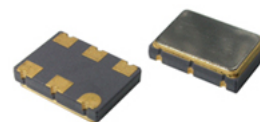
### SX5LK

### LVDS SURFACE MOUNT CRYSTAL CLOCK OSCILLATOR

## FEATURES

- Standard miniature package
- Reduced jitter design without PLL and multiplier circuit
- Superior phase noise
- Applications : SONET, xDSL, SDH, Set-top box,...

5.0 x 3.2 x 1.2 mm



Item	Specification	
Frequency Range	13.5 MHz ~ 200 MHz	
Output Logic	LVDS	
Overall Frequency Stability*	± 20 ppm ~ ± 100 ppm (see options)	
Operating Temperature Range	0 ~ +70 °C commercial application (see options) -40 ~ +85 °C industrial application (see options)	
Supply Voltage Vdd	+2.5V ±5%	+3.3V ±5%
Supply Current Idd	16 mA typ. ; 27 mA max.	
Output Voltage HIGH VOH	1.43 V typ. ; 1.6 V max.	
Output Voltage LOW VOL	1.1 V typ. ; 0.9 V min.	
Output Load	50 ohm from each output	
Symmetry	45/55%	
Rise Time/Fall Time Fr/Ff	0.2 ns typ. ; 0.4 ns max.	
Tri-state function	pin #1 = high or open pin #1 = low	pin #4 - #5 ==> oscillation pin #4 - #5 ==> high impedance
Start-up Time	3 ms typ. ; 10 ms max.	
Integrated Phase Jitter ( 12 kHz to 20 MHz band )	130 fs typ. ; 0.3 ps max.	
Phase Noise ( typical )	<b>Offset</b> 10 Hz 100 Hz 1 kHz 10 kHz 100 kHz	<b>Frequency 100.000 MHz</b> -70 dBc / Hz -101 dBc / Hz -126 dBc / Hz -139 dBc / Hz -145 dBc / Hz
Packing Unit	1000pcs / reel	
Soldering Condition	260 °C , 10 sec x2 max	

**Customer specifications on request**

(\*) Includes initial tolerance@+25°C, stability over operating temperature, stability vs. load change, stability vs. supply change and one year aging

## OPTIONS & ORDERING INFORMATION

### SX5LK

.....	.....	.....	.....	..... MHz
Supply Voltage	Operating Temp. *	Overall Stability *	Tri-state Function	Frequency in MHz
25 = +2.5V	E = 0°/+70°C	20 = ±20 ppm	E = Tri-state	Please specify the frequency in MHz
33 = +3.3V	F = -20°/+70°C	25 = ±25 ppm		
	K = -40°/+85°C	30 = ±30 ppm		
		50 = ±50 ppm		
		100 = ±100 ppm		

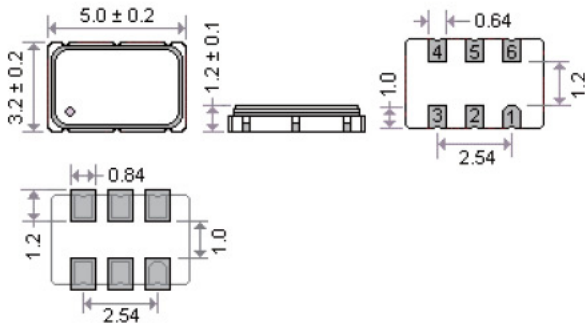
\* Note : Not all combinations are possible, please consult us.

Rev. 09-2012

**SX5LK**

**LVDS SURFACE MOUNT CRYSTAL CLOCK OSCILLATOR**

**OUTLINE DIMENSIONS (mm)**



**Pin Connections**

#1 : E/D	#2 : NC	#3 : GND
#4 : Output	#5 : Complementary output	#6 : Vdd